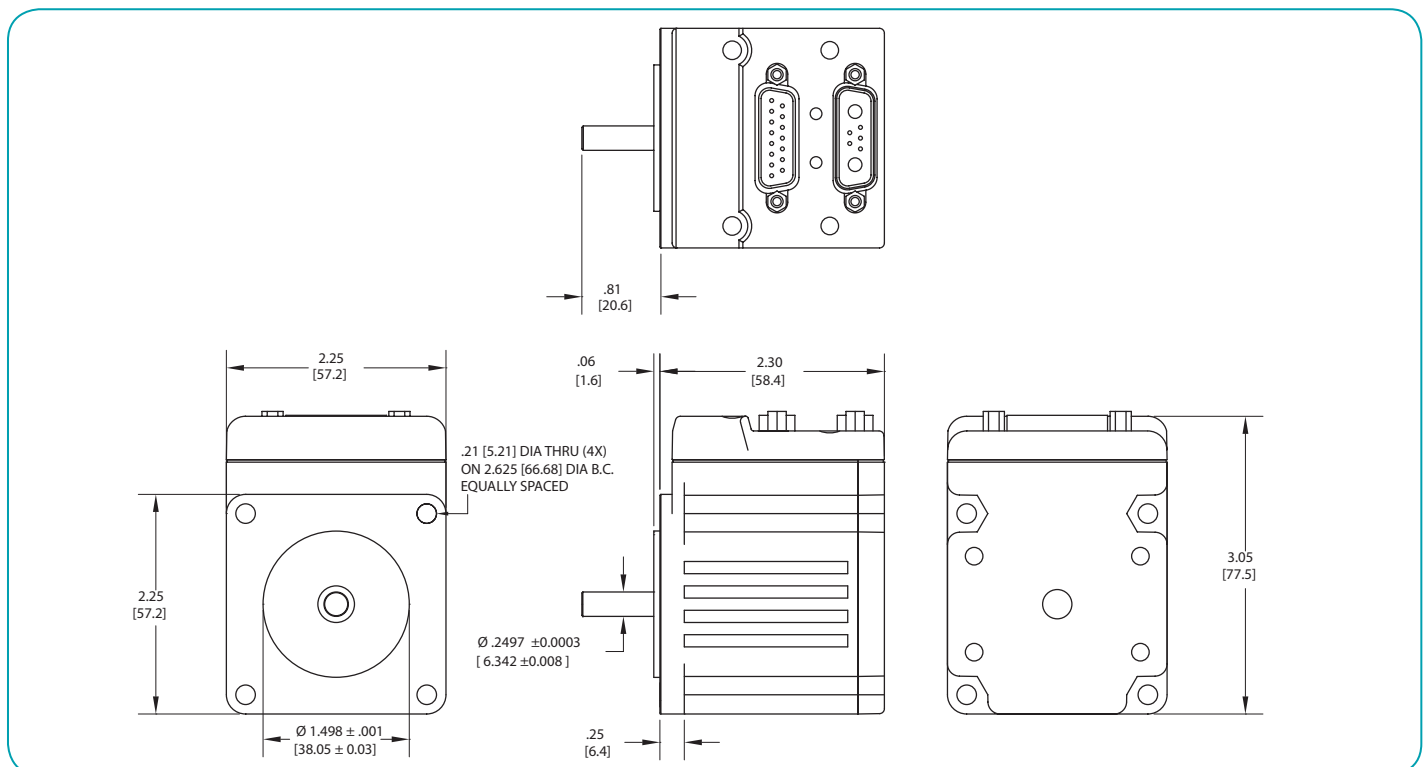
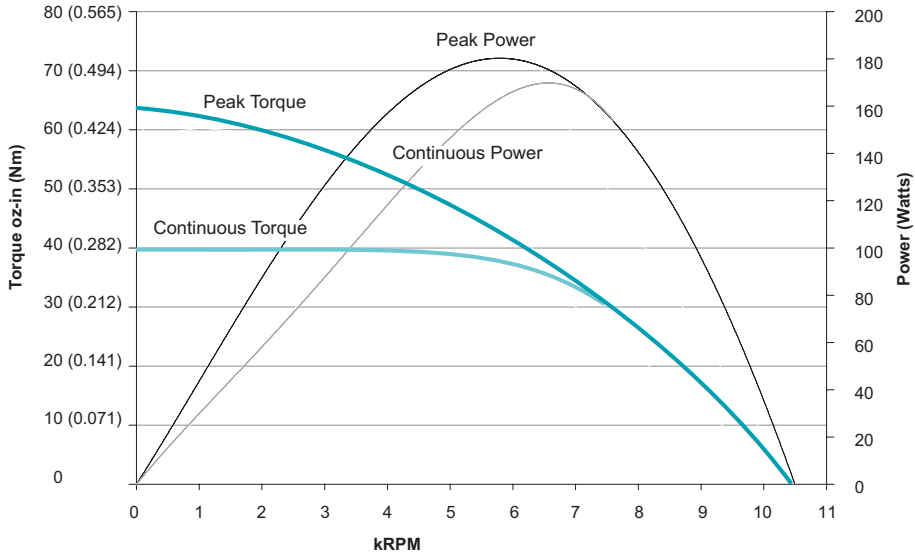


SV2316D-PLS2		
Continuous Torque	2.50	in-lb
	40	oz-in
	0.28	N-m
Peak Torque	4.00	in-lb
	64	oz-in
	0.45	N-m
Nominal Continuous Power	181	Watt
No Load Speed	10,400	RPM
Continuous Current @ Nominal Power	5.0	Amps
Voltage Constant	4.45	V/kRPM
Winding Resistance	1.0	ohms
Encoder Resolution	4,000	Counts/Rev
Rotor Inertia	0.00099	oz-in-sec ²
	0.699	10 ⁻⁶ Kg-m ²
Weight	1.0	lb
	0.45	kg
Shaft Diameter	0.250	in
	6.35	mm
Shaft, Radial Load	7	lb
	3.18	kg
Shaft, Axial Thrust Load	3	lb
	1.36	kg
EtherNet Available	Yes	
DeviceNet Available		
ProfiBus Available	Yes	
CanOpen Available	Yes	

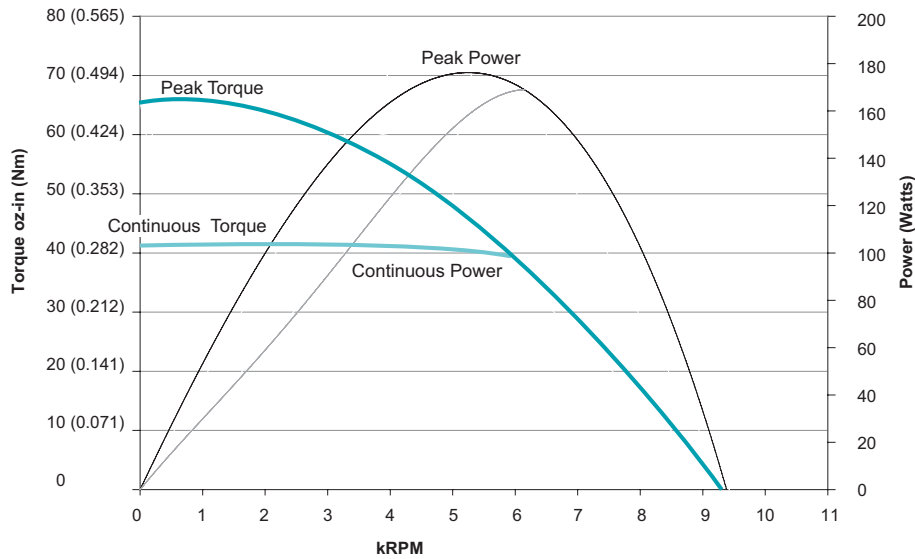


Servida Motor SV2316D-PLS2 (No Options) CAD Drawing

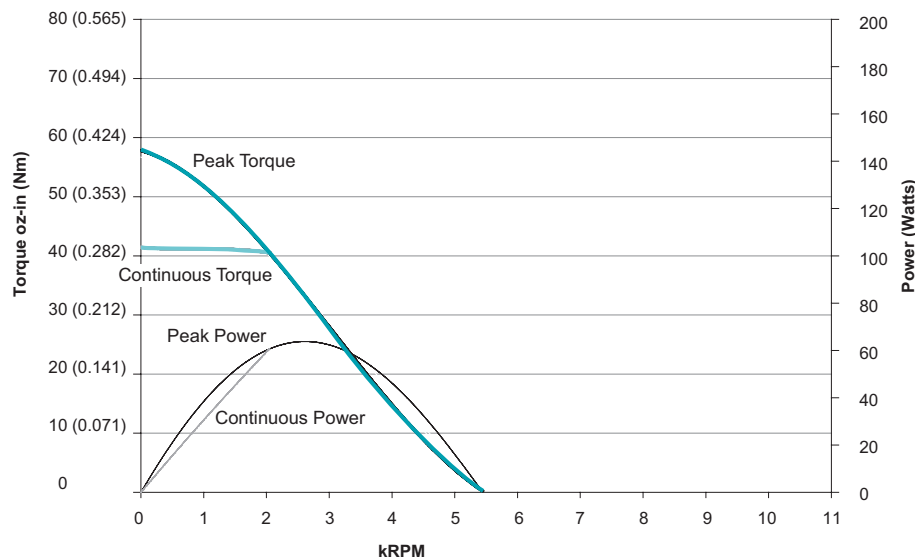




**SV2316D-PLS2
 at 48 VDC
 at rise to 85°C**



**SV2316D-PLS2
 at 42 VDC
 at rise to 85°C**



**SV2316D-PLS2
 at 24 VDC
 at rise to 85°C**