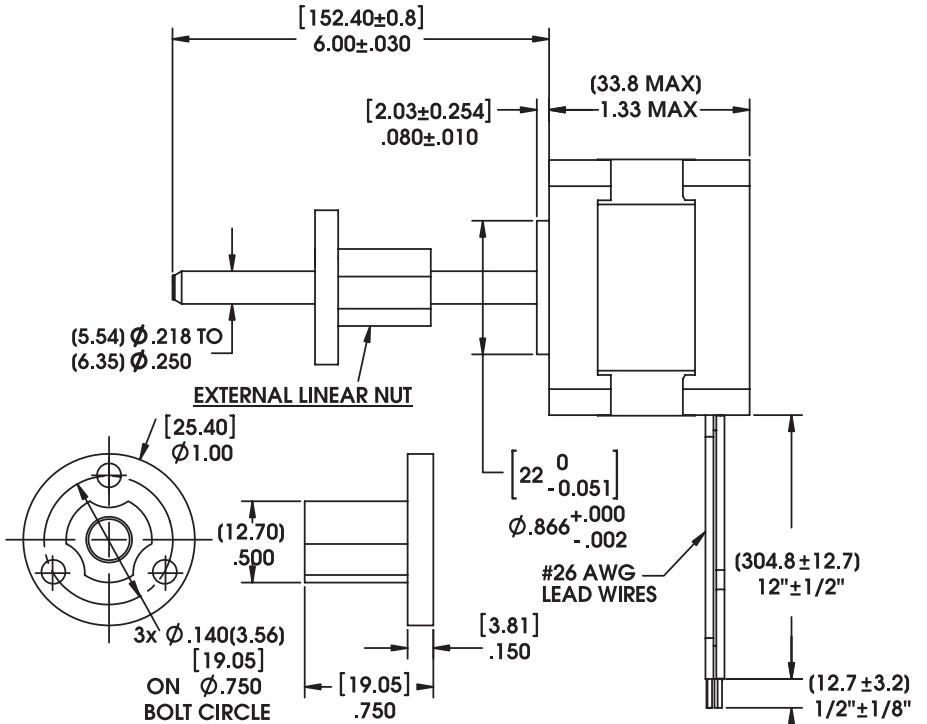
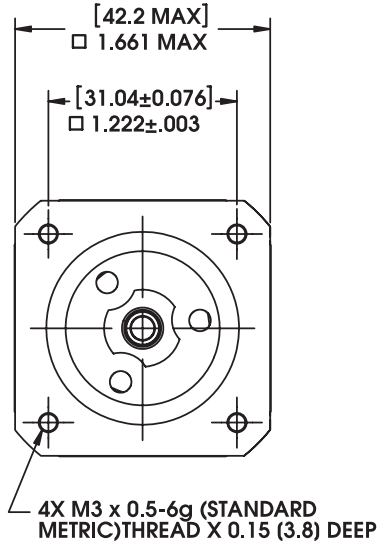


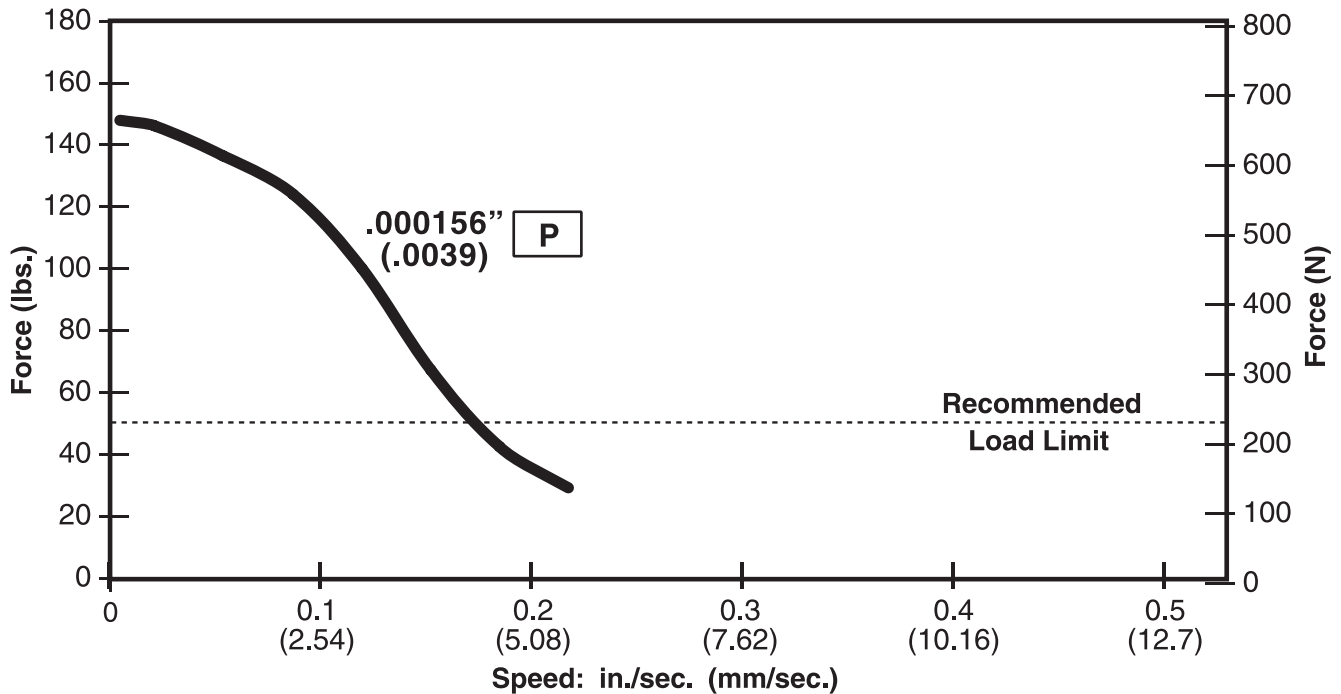
Measurement Units = (mm) decimal inches

External Linear Shaft



Force vs. Linear Velocity

Bipolar • Chopper • 100% Duty Cycle • Ø 0.250-in. (6.35 mm) Leadscrew



NOTE: All chopper drive curves were created with a 5 volt motor and a 40 volt power supply.

Ramping can increase the performance of a motor either by increasing the top speed or getting a heavier load accelerated up to speed faster. Also, deceleration can be used to stop the motor without overshoot.